

itl boulder

THE LIGHT CENTER OF THE INDUSTRY SINCE 1955

INDEPENDENT TESTING LABORATORIES, INC.
3386 LONGHORN ROAD, BOULDER, CO 80302 USA

PHONE: (303)442-1255 • FAX: (303)449-5274 • E-MAIL: itl@itlboulder.com • WEBSITE: www.itlboulder.com

REPORT NUMBER: ITL63869

DATE: 12/18/09

PREPARED FOR: SUNLITE SCIENCE & TECHNOLOGY, INC.

CATALOG NUMBER: SNL4F10H3V48

LUMINAIRE: EXTRUDED FINNED SEMI-SPECULAR METAL HOUSING, 10 CIRCUIT BOARDS EACH WITH 3 LEDS.

LAMP: THIRTY WHITE LIGHT EMITTING DIODES (LEDS) ARRANGED IN 10 CLUSTERS OF 3 LEDS, EACH CLUSTER WITH ONE CLEAR HEMISPHERICAL INTEGRAL GLASS LENS, VERTICAL BASE-UP POSITION.

TOTAL INPUT WATTS = 59.8 AT 48.0 VOLTS DC

MOUNTING: SURFACE

NOTE: DATA SHOWN IS ABSOLUTE FOR THE SAMPLE PROVIDED AT CLIENT REQUESTED INPUT VOLTAGE (48VDC) TO THE LED ASSEMBLY.

TEST PROCEDURE: IESNA LM-79-08

TEST DISTANCE = 25.25 FEET

CANDELA DISTRIBUTION

	0.0	22.5	45.0	67.5	90.0	FLUX
0	1664	1664	1664	1664	1664	165
5	1729	1719	1704	1687	1691	529
15	1897	1905	1889	1841	1808	788
25	1693	1700	1723	1743	1738	832
35	1320	1315	1312	1332	1340	833
45	1074	1080	1074	1077	1076	786
55	867	881	883	883	871	563
65	595	595	569	575	574	103
75	74	84	55	55	62	5
85	3	3	3	4	5	0
90	3	3	3	2	1	0
95	0	0	0	0	0	0
105	0	0	0	0	0	0
115	0	0	0	0	0	0
125	0	0	0	0	0	0
135	0	0	0	0	0	0
145	0	0	0	0	0	0
155	0	0	0	0	0	0
165	0	0	0	0	0	0
175	0	0	0	0	0	0
180	0	0	0	0	0	0

ZONAL LUMEN SUMMARY

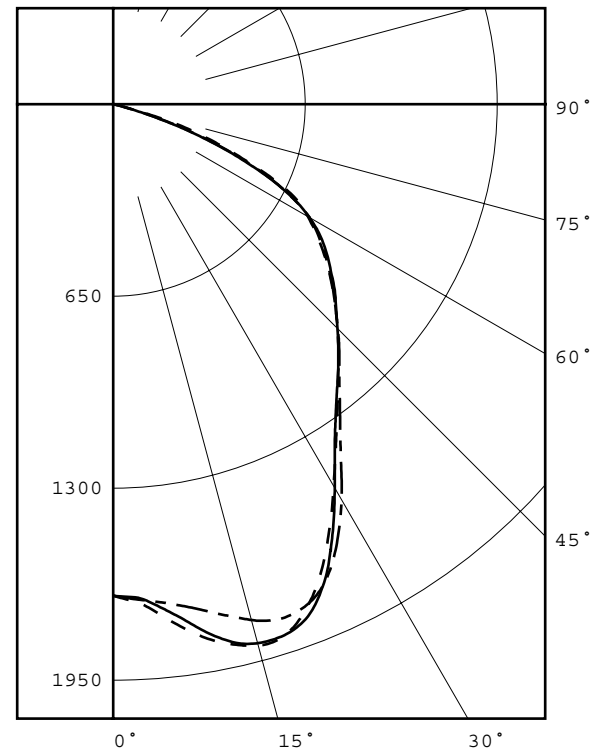
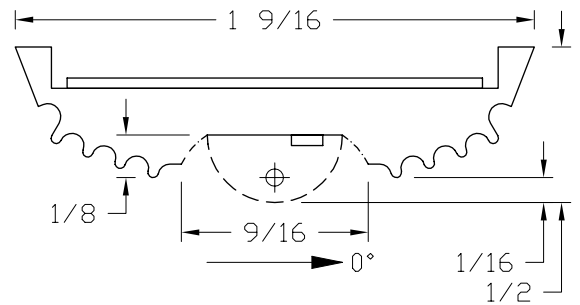
ZONE	LUMENS	%FIXT
0- 30	1482	32.2
0- 40	2314	50.3
0- 60	3933	85.4
0- 90	4604	100.0
90-120	0	0.0
90-130	0	0.0
90-150	0	0.0
90-180	0	0.0
0-180	4604	100.0

EFFICACY = 77.0 Lm/W

CIE TYPE - DIRECT

PLANE : 0-DEG 90-DEG

SPACING CRITERIA : 1.3 1.3

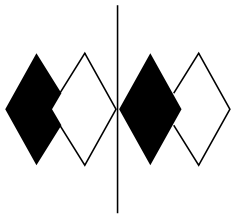


LEGEND:

- 0-deg: - - - - -
- 45-deg: = = = = =
- 90-deg: - - - - -

Checked *N. WHITE*

Approved *R. BEATTIE*



itl boulder

THE LIGHT CENTER OF THE INDUSTRY SINCE 1955

INDEPENDENT TESTING LABORATORIES, INC.
3386 LONGHORN ROAD, BOULDER, CO 80302 USA

PHONE: (303)442-1255 • FAX: (303)449-5274 • E-MAIL: itl@itlboulder.com • WEBSITE: www.itlboulder.com

REPORT NUMBER: ITL63869

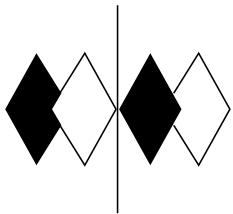
DATE: 12/18/09

PREPARED FOR: SUNLITE SCIENCE & TECHNOLOGY, INC.

PLANE : 0-DEG 90-DEG
LUMINOUS LENGTH : 0.563 44.563

LUMINANCE DATA IN CANDELA/SQ M

ANGLE IN DEG	AVERAGE 0-DEG	AVERAGE 45-DEG	AVERAGE 90-DEG
45	93921.	93921.	94096.
55	93470.	95195.	93902.
65	87059.	83255.	83986.
75	17680.	13141.	14813.
85	2128.	2128.	3547.



itl boulder
THE LIGHT CENTER OF THE INDUSTRY SINCE 1955

INDEPENDENT TESTING LABORATORIES, INC.
 3386 LONGHORN ROAD, BOULDER, CO 80302 USA

PHONE: (303)442-1255 • FAX: (303)449-5274 • E-MAIL: itl@itlboulder.com • WEBSITE: www.itlboulder.com

REPORT NUMBER: ITL63869

DATE: 12/18/09

PREPARED FOR: SUNLITE SCIENCE & TECHNOLOGY, INC.

CANDELA DISTRIBUTION

	0.0	22.5	45.0	67.5	90.0	ZONAL LUMEN	SUMMARY
0.0	1664	1664	1664	1664	1664	0- 5	40.
5.0	1729	1719	1704	1687	1691	5- 10	125.
10.0	1837	1837	1815	1758	1739	10- 15	219.
15.0	1897	1905	1889	1841	1808	15- 20	310.
20.0	1852	1859	1869	1864	1827	20- 25	378.
25.0	1693	1700	1723	1743	1738	25- 30	410.
30.0	1493	1493	1500	1527	1547	30- 35	415.
35.0	1320	1315	1312	1332	1340	35- 40	417.
40.0	1186	1186	1184	1191	1191	40- 45	419.
45.0	1074	1080	1074	1077	1076	45- 50	414.
50.0	970	980	979	979	971	50- 55	404.
55.0	867	881	883	883	871	55- 60	382.
60.0	761	772	768	771	766	60- 65	335.
65.0	595	595	569	575	574	65- 70	228.
70.0	346	332	296	295	306	70- 75	96.
75.0	74	84	55	55	62	75- 80	7.
80.0	7	7	6	7	9	80- 85	3.
85.0	3	3	3	4	5	85- 90	1.
90.0	3	3	3	2	1	90- 95	0.
95.0	0	0	0	0	0	95-100	0.
100.0	0	0	0	0	0	100-105	0.
105.0	0	0	0	0	0	105-110	0.
110.0	0	0	0	0	0	110-115	0.
115.0	0	0	0	0	0	115-120	0.
120.0	0	0	0	0	0	120-125	0.
125.0	0	0	0	0	0	125-130	0.
130.0	0	0	0	0	0	130-135	0.
135.0	0	0	0	0	0	135-140	0.
140.0	0	0	0	0	0	140-145	0.
145.0	0	0	0	0	0	145-150	0.
150.0	0	0	0	0	0	150-155	0.
155.0	0	0	0	0	0	155-160	0.
160.0	0	0	0	0	0	160-165	0.
165.0	0	0	0	0	0	165-170	0.
170.0	0	0	0	0	0	170-175	0.
175.0	0	0	0	0	0	175-180	0.
180.0	0	0	0	0	0		



INDEPENDENT TESTING LABORATORIES, INC.
 3386 LONGHORN ROAD, BOULDER, CO 80302 USA

PHONE: (303)442-1255 • FAX: (303)449-5274 • E-MAIL: itl@itlboulder.com • WEBSITE: www.itlboulder.com

REPORT NUMBER: ITL63869

DATE: 12/18/09

PREPARED FOR: SUNLITE SCIENCE & TECHNOLOGY, INC.

COEFFICIENTS OF UTILIZATION - ZONAL CAVITY METHOD

EFFECTIVE FLOOR CAVITY REFLECTANCE 0.20

RC	80				70				50			30			10			0			
RW	70	50	30	10	70	50	30	10	50	30	10	50	30	10	50	30	10	0			
0	119	119	119	119	116	116	116	116	111	111	111	111	111	111	106	106	106	102	102	102	100
1	110	106	102	99	108	104	101	98	100	97	95	96	94	92	92	91	89	92	91	89	87
2	101	94	88	82	99	92	86	81	88	84	80	85	81	78	82	79	76	82	79	76	74
3	93	83	75	69	90	81	74	69	78	72	68	76	71	66	73	69	65	73	69	65	63
4	85	74	66	59	83	72	65	59	70	63	58	68	62	57	66	61	57	66	61	57	54
5	78	66	58	51	76	65	57	51	63	56	50	61	55	50	59	54	49	59	54	49	47
6	72	60	51	45	71	59	51	45	57	50	44	55	49	44	54	48	44	54	48	44	42
7	67	54	46	40	66	53	45	40	52	45	39	51	44	39	49	43	39	49	43	39	37
8	63	50	41	36	61	49	41	36	48	40	35	46	40	35	45	39	35	45	39	35	33
9	59	46	38	32	57	45	37	32	44	37	32	43	36	32	42	36	32	42	36	32	30
10	55	42	34	29	54	42	34	29	41	34	29	40	33	29	39	33	29	39	33	29	27

ALL CANDELA, LUMENS, LUMINANCE, AND VCP VALUES IN THIS REPORT ARE BASED ON ABSOLUTE PHOTOMETRY. THE COEFFICIENT OF UTILIZATION VALUES ARE BASED ON THE TOTAL ABSOLUTE LUMEN OUTPUT OF THIS LUMINAIRE SAMPLE.